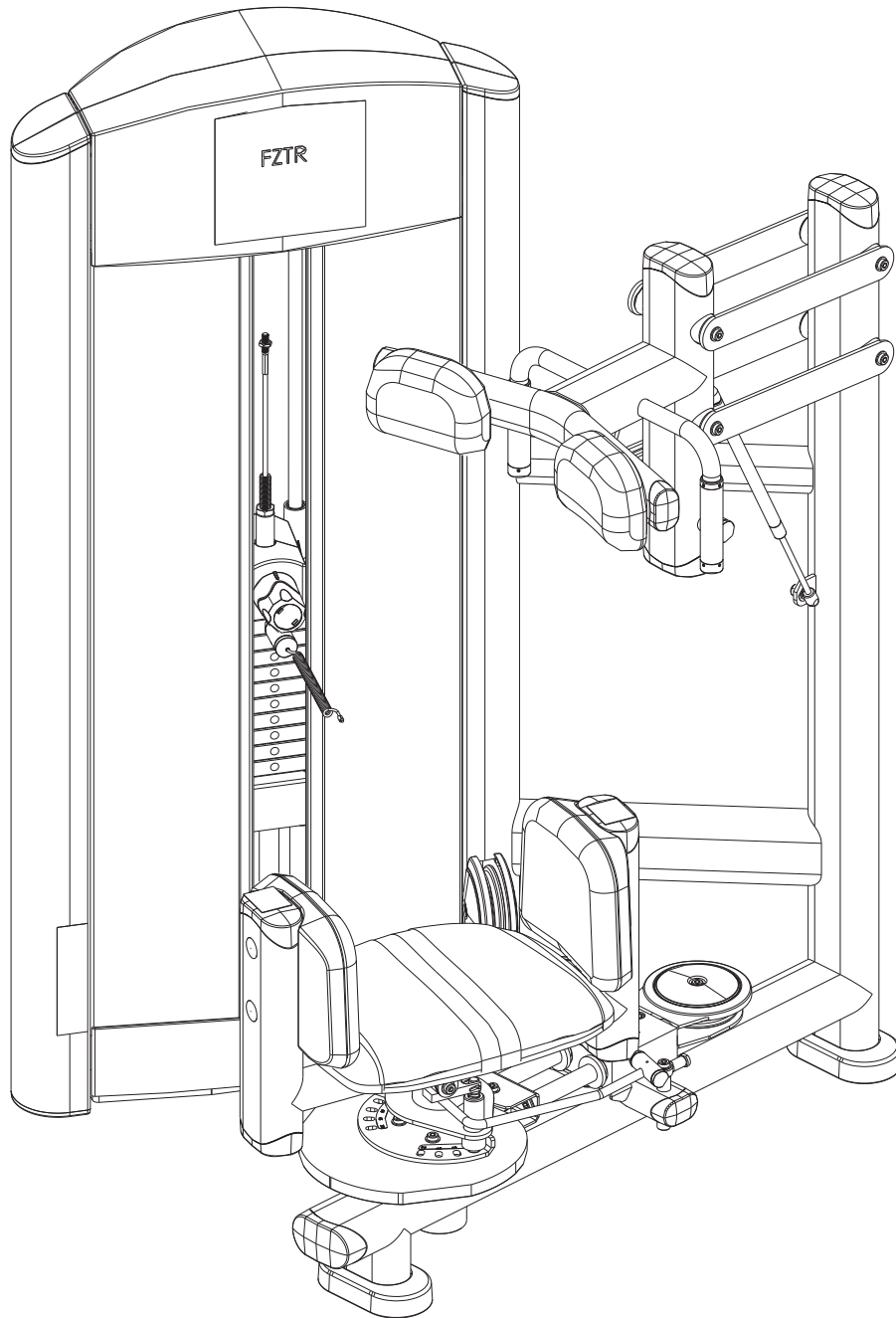




SIGNATURE SERIES  
FZTR TORSO ROTATION



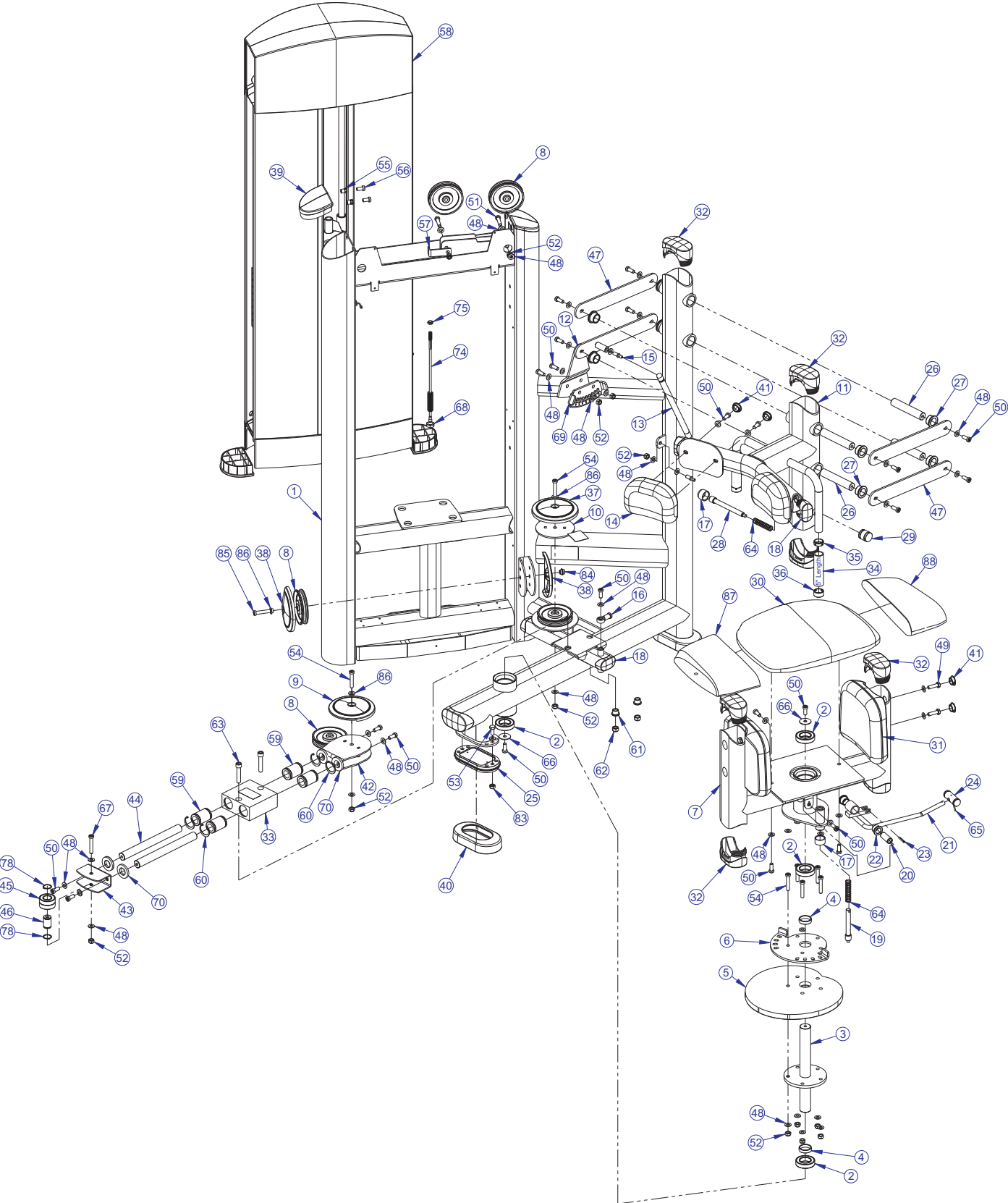
Customer Support Services  
**PARTS MANUAL**

# FZTR TORSO ROTATION CONTENTS

---

	PAGE
COMPONENT ASSEMBLY	3
COMPONENT ASSEMBLY II	4
COMPONENT ASSEMBLY LEGEND	5
MID-9 TOWER ASSEMBLY	6
PLASTIC TOWER ASSEMBLY	7
MID-9 WEIGHT STACK ASSEMBLY	8
5 LB. INCREMENT WEIGHT ASSEMBLY	9
10 LB. INCREMENT WEIGHT ASSEMBLY	10
15 LB. INCREMENT WEIGHT ASSEMBLY	11
HEAD PLATE ASSEMBLY	12
HEAD PLATE ASSEMBLY LEGEND	13
IMAGE	14

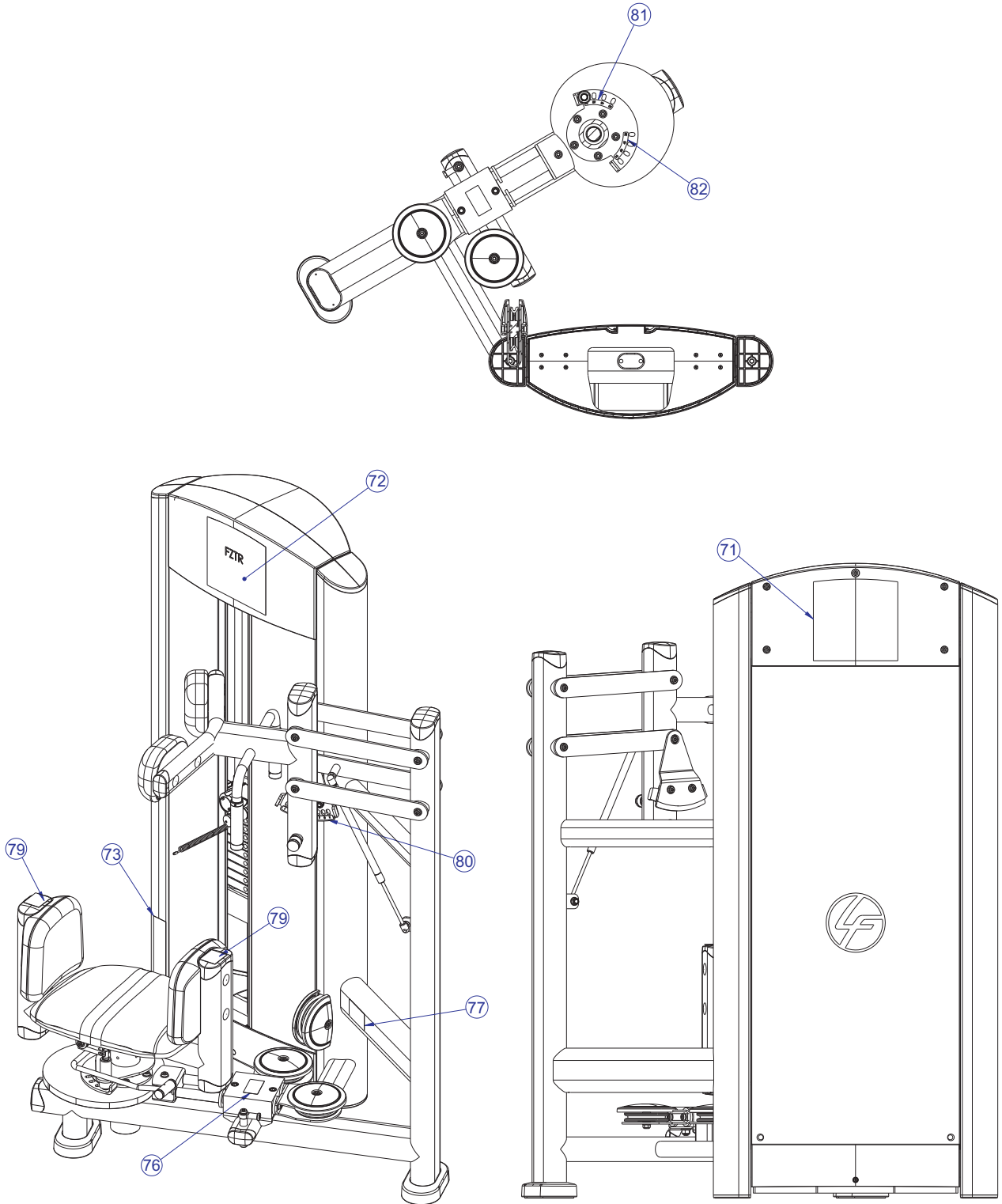
# FZTR TORSO ROTATION COMPONENT ASSEMBLY



SEE PAGE 5 FOR LEGEND

# FZTR TORSO ROTATION COMPONENT ASSEMBLY II

---



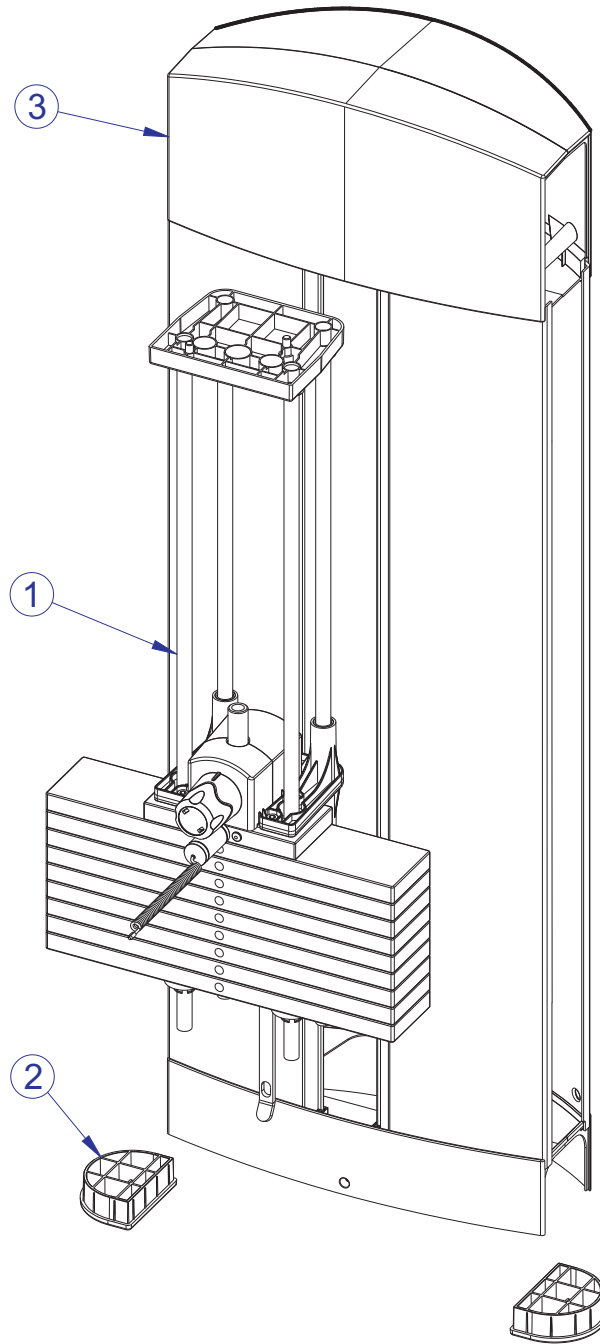
SEE PAGE 5 FOR LEGEND

# FZTR TORSO ROTATION COMPONENT ASSEMBLY LEGEND

ITEM NO.	QTY.	PART NO.	DESCRIPTION	ITEM NO.	QTY.	PART NO.	DESCRIPTION
1	1	7685201	WLDMT, FZTR FRAME	45	2	3235601	BEARING, 6205 BALL
2	4	3243201	BEARING, 6007 BALL	46	1	7686901	SHAFT, BEARING
3	1	7685501	WLDMT, FZTR PIVOT SHAFT	47	3	7407201	PLATE, .25 X 2 4-BAR
4	2	7511501	SPACER, FZ/PS INTERNAL .403	48	53	3236601	WASHER, 3/8 SAE SS
5	1	7775201	CAM, FZTR-MOLDED	49	4	3251204	SCREW, M10 X1.5 X 35MM HEX ST ZN
6	1	7763501	PLATE, CAM INDEX	50	25	3236202	SCREW, M10 X1.5 25MM
7	1	7685301	WLDMT, FZTR KNEE SUPPORT	51	2	3236206	SCREW, M10 X1.5 45MM
8	5	3237801	PULLEY, 4.5" OD	52	13	3236801	NUT, M10 HEX NYLOCK SS
9	1	8104501	COVER, PULLEY-BOLTED NOTCHED	53	4	3251202	SCREW, M10 X1.5 X 25MM HEX ST ZN
10	1	7318201	PLATE, PULLEY	54	7	3236208	SCREW, M10 X1.5 55MM
11	1	7700501	WLDMT, FZTR SHOULDER SUPPORT	55	4	3238601	M10X1.5 THREADED INSERT (HEX)
12	1	7685401	WLDMT, FZTR, 4-BAR INDEX	56	4	3236201	SCREW, M10 X1.5 20MM
13	1	3235701	SPRING, GAS 150N	57	1	6757701	CLIP, CABLE 2-7/8 X 1 X 1
14	2	73933XX	PAD, ARM REST	58	1	7625901	ASSY, MID TOWER-9, SHORT
15	2	7414301	STUD, M10 BALL END M10 X 1.5	59	4	3245601	BEARING, LINEAR 1" ID
16	1	3237901	ROD END, METRIC FEMALE	60	4	3202601	RET RING, INT 1-3/4 DIA X1/16
17	2	7690201	BUMPER, SLEEVE - 1.125 INCH DIA	61	2	7702101	BUSHING, .750 OD X .500 ID X .500
18	4	7333801	CAP, SMALL FLOV- END	62	2	3236803	NUT, M12 HEX NYLOCK SS
19	1	7600102	PIN, PULL X 4.88	63	2	3241309	SCREW, M12 X1.75 60MM
20	1	7324802	SHAFT, TAPPED 0.75 DIA X 1.800	64	2	7351501	SPRING; PULL PIN LARGE
21	1	7700495	WLDMT, FZTR ADJ. HANDLE	65	1	3110010	ROLL PIN, 1/8 X 7/8
22	2	3104901	.75" ID 1.00" OD BRONZE BUSHING	66	2	3236701	WASHER, FENDER 3/8" ID X 1.5" OD SS
23	1	3110011	ROLL PIN, 3/16 X 1-1/4	67	1	3236209	SCREW, M10 X1.5 60MM
24	1	7287901	HANDLE, ADJUSTER	68	1	3236902	NUT, M16 X 2 HEX JAM SS
25	2	7334001	FOOT, 2.50 X 4.49 FLOV	69	1	7821101	BRKT, SELECTOR
26	4	7324902	SHAFT, TAPPED 1 DIA X 5.330	70	4	7713801	BUMPER, 1.00 ID X 1.88 ODX.25
27	8	3104903	1.00" ID 1.25" OD BRONZ BUSHING	71	1	7714601	LABEL, FZTR PLACARD
28	1	7425102	PIN, PULL X 6.75	72	1	7509101	LABEL, FZTR PLACARD
29	1	7424801	KNOB, POP PIN	73	1	7422004	LABEL, 2" ASTM WARN
30	1	80315XX	PAD, LARGE CHAIR, FZTR	74	1	7423614	CABLE, M16TP, M10TS
31	2	74743XX	PAD, HEAD REST	75	1	3236901	NUT, M10 X 1.5 JAM
32	8	7333901	CAP, LARGE FLOV- END	76	1	7422003	LABEL, MOVING PARTS
33	1	7690001	BLOCK, LINEAR SLIDE	77	1	7571301	LABEL, SERIAL NUMBER
34	2	3235801	GRIP, SHADOW GRAY, 5.00"	78	2	3232420	RING, BRE .926, 5100-98 ST PP B
35	2	7662801	RING, GRIP 1.25 OD	79	2	7767901	LABEL, FACE FORWARD
36	2	7662901	CAP, GRIP 1.25 OD	80	1	7853601	LABEL, FZTR 1-9
37	1	8102901	COVER, PULLEY-BOLTED FULL	81	1	7801601	LABEL, FZTR CAM ADJ - RIGHT
38	2	8094101	COVER, PULLEY-BOLTED PARTIAL	82	1	7801701	LABEL, FZTR CAM ADJ - LEFT
39	2	7326201	CAP, D-TUBE - TOP	83	4	3254703	NUT, M10 X 1.5 HEX ZINC
40	2	7340201	COVER, FOOT - STRAIGHT	84	1	7335401	NUT, M10 X 1.5 SOCKET HEAD
41	10	3237403	PLUG, 1" HOLE	85	1	3236207	SCREW, M10 X1.5 50MM
42	1	7687001	BRKT, LINEAR SLIDE PULLEY	86	3	7630101	RETAINER, CM/MJ, PULLEY
43	1	7686801	BRKT, CAM FOLLOWER	87	1	80314XX	WEAR COVER, PAD, FZTR, LEFT
44	2	7702401	GUIDE ROD, FZTR LINEAR	88	1	80313XX	WEAR COVER, PAD, FZTR, RIGHT

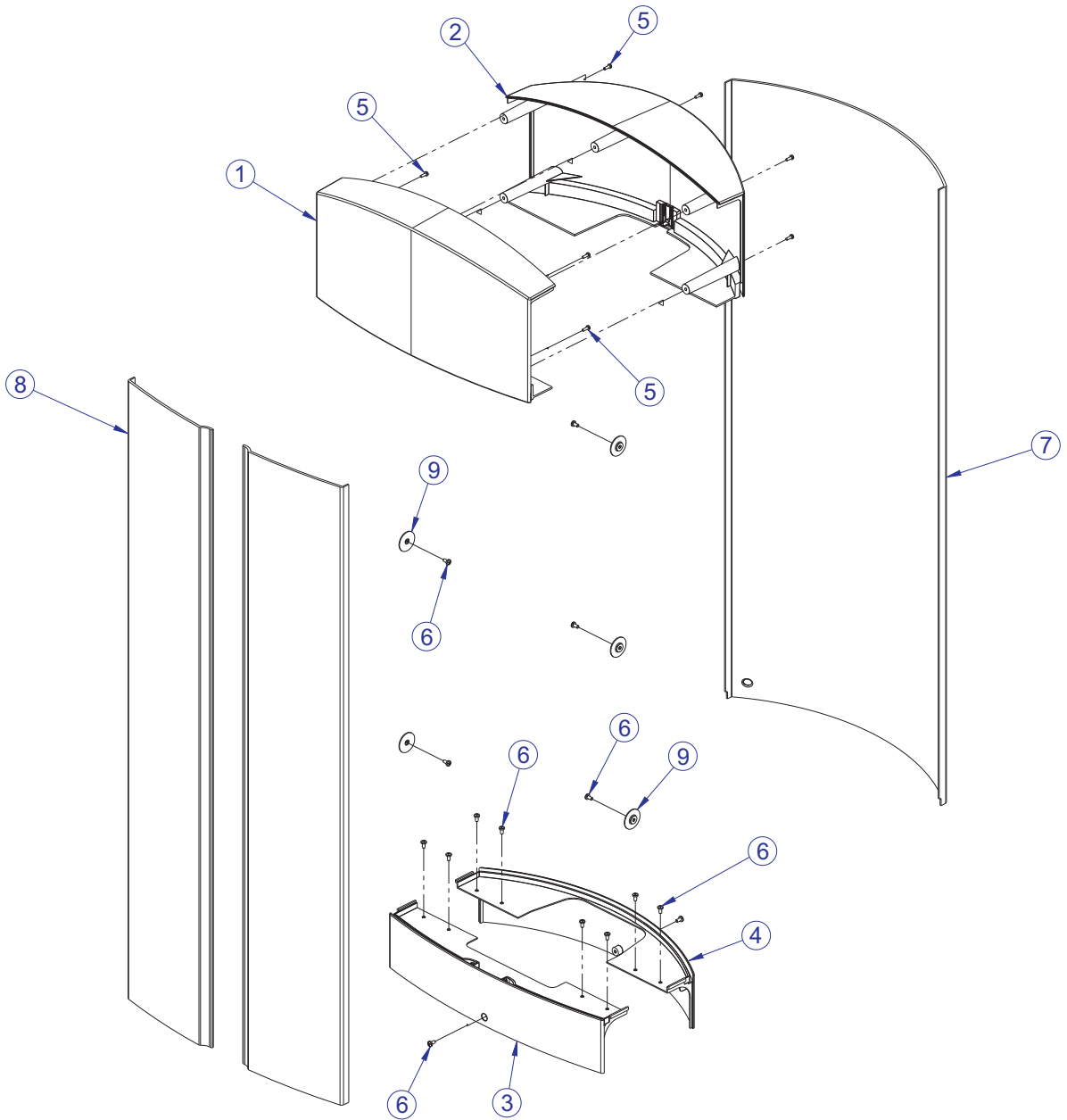
# FZTR TORSO ROTATION MID-9 SHORT TOWER ASSEMBLY - 7625901

---



ITEM NO.	QTY.	PART NO.	DESCRIPTION
1	1	7626001	ASSY, WEIGHT STACK MID-9, SHORT
2	2	7326301	CAP, D-TUBE - BOTTOM
3	1	7419801	ASSY, TOWER PLASTICS - MID

# FZTR TORSO ROTATION PLASTIC TOWER ASSEMBLY - 7419801

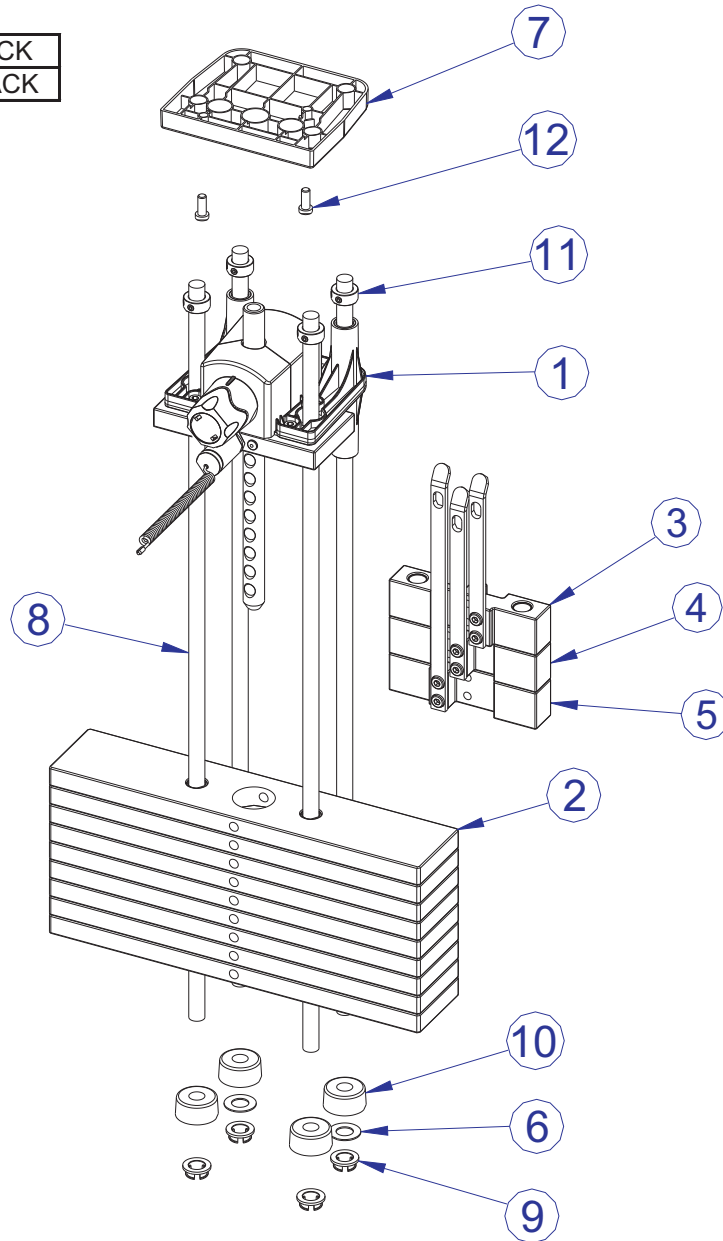


ITEM NO.	QTY.	PART NO.	DESCRIPTION
1	1	7318601	COVER, TOWER- TOP FRONT
2	1	7318701	COVER, TOWER- TOP REAR
3	1	7318801	COVER, TOWER- BOTTOM FRONT
4	1	7318901	COVER, TOWER- BOTTOM REAR
5	9	3236501	M4 X 0.7 PHL PAN MS ST ZN
6	16	3239101	SCREW, M5X10 PHL PAN TT ST
7	1	7765701	SHROUD, TOWER- REAR SHORT
8	2	7765601	SHROUD, TOWER- FRT SHORT RH
9	6	7583501	RETAINER, FZ SHROUD

# FZTR TORSO ROTATION MID-9 SHORT WEIGHT STACK ASSEMBLY - 7626001

## WEIGHT STACK LABELS

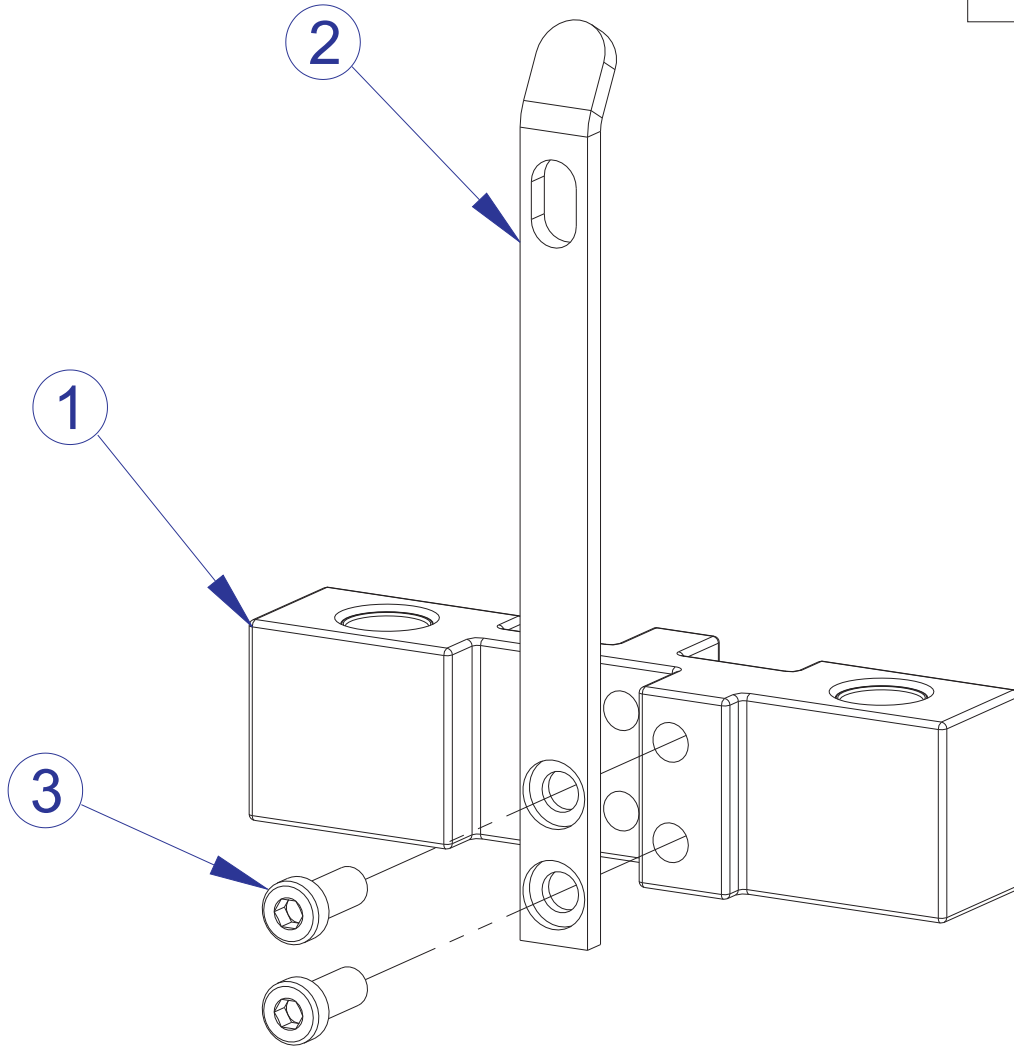
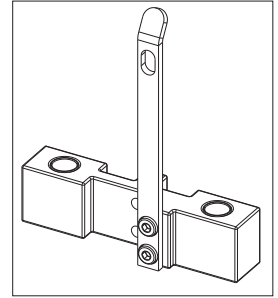
7927201	LABEL, 390 LB STACK
7927301	LABEL, 195 KG STACK



ITEM NO.	QTY.	PART NO.	DESCRIPTION
1	1	7350601	ASSY, HEAD PLATE (9)
2	9	7328401	WEIGHT PLATE, 20 LB
3	1	7327601	ASSY, INCREMENT WT - 5LB
4	1	7327701	ASSY, INCREMENT WT - 10LB
5	1	7327801	ASSY, INCREMENT WT - 15LB
6	2	7351001	SPACER, INC WT STACK
7	1	7621101	RETAINER, GUIDE ROD - TOP
8	4	7328610	GUIDE ROD, .75 OD SOLID 39.75
9	4	7337901	BUSHING, GUIDE ROD
10	4	7352101	CUSHION, WEIGHT STACK
11	4	3103301	SHAFT COLLAR, 3/4 I.D. ZINC
12	2	3236202	SCREW, M10 X1.5 25MM

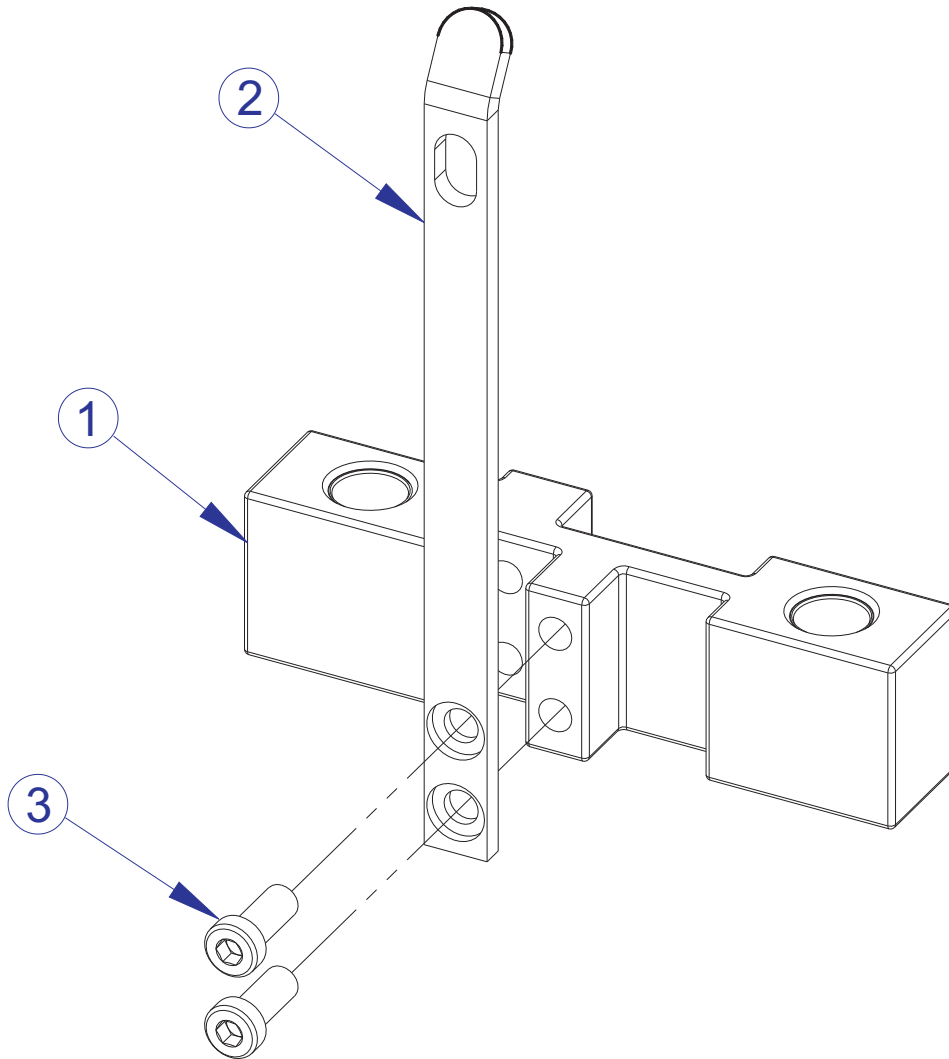
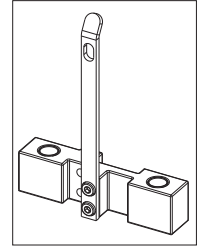


# FZTR TORSO ROTATION 5 LB. INCREMENT WEIGHT ASSEMBLY - 7327601



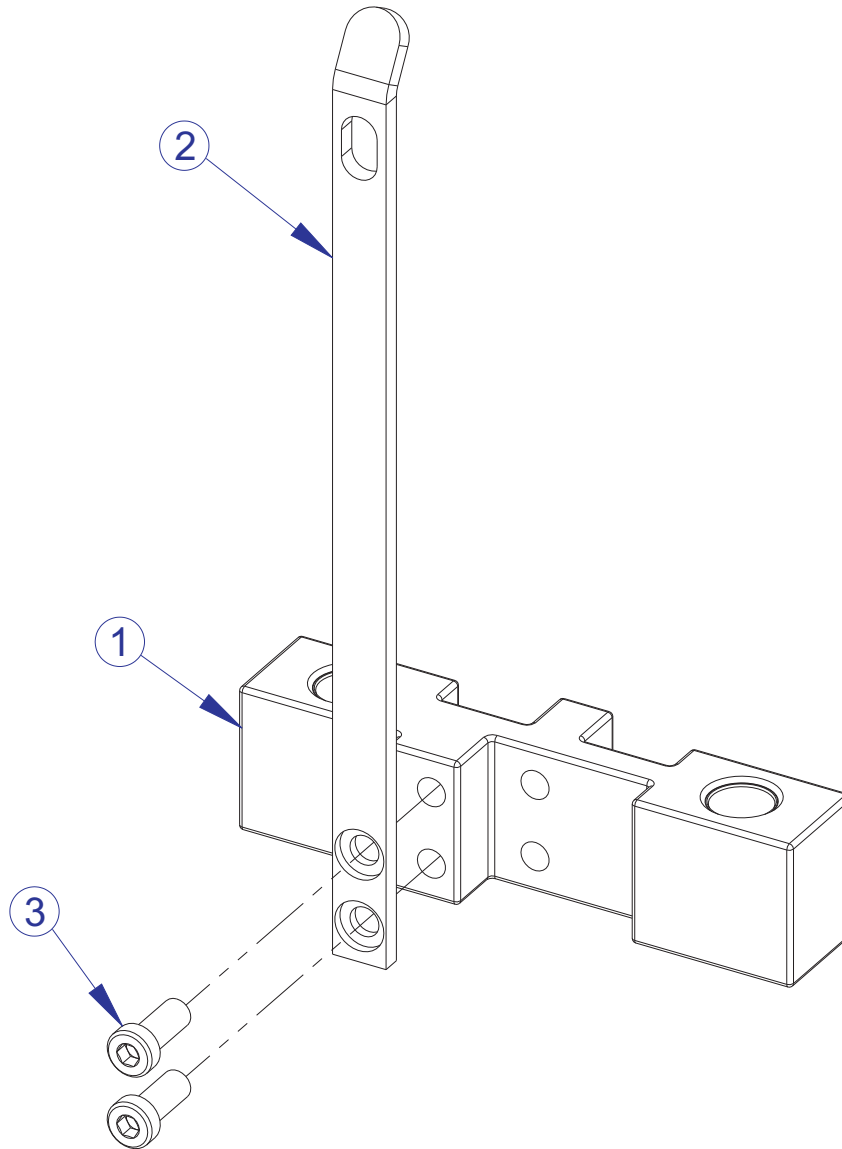
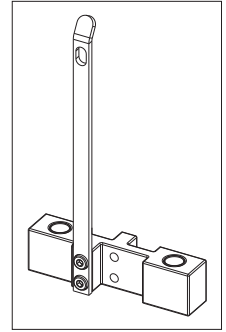
ITEM NO.	QTY.	PART NO.	DESCRIPTION
1	1	7968501	ASSY, FZ INC WEIGHT 5LB
2	1	7328001	BRKT, INCREMENT WT - 5 LB
3	2	3236202	SCREW, M10 X1.5 25MM

# FZTR TORSO ROTATION 10 LB. INCREMENT WEIGHT ASSEMBLY - 7327701



ITEM NO.	QTY.	PART NO.	DESCRIPTION
1	1	7968501	ASSY, FZ INC WEIGHT 5LB
2	1	7328101	BRKT, INCREMENT WT - 10 LB
3	2	3236202	SCREW, M10 X1.5 25MM

# FZTR TORSO ROTATION 15 LB. INCREMENT WEIGHT ASSEMBLY - 7327801

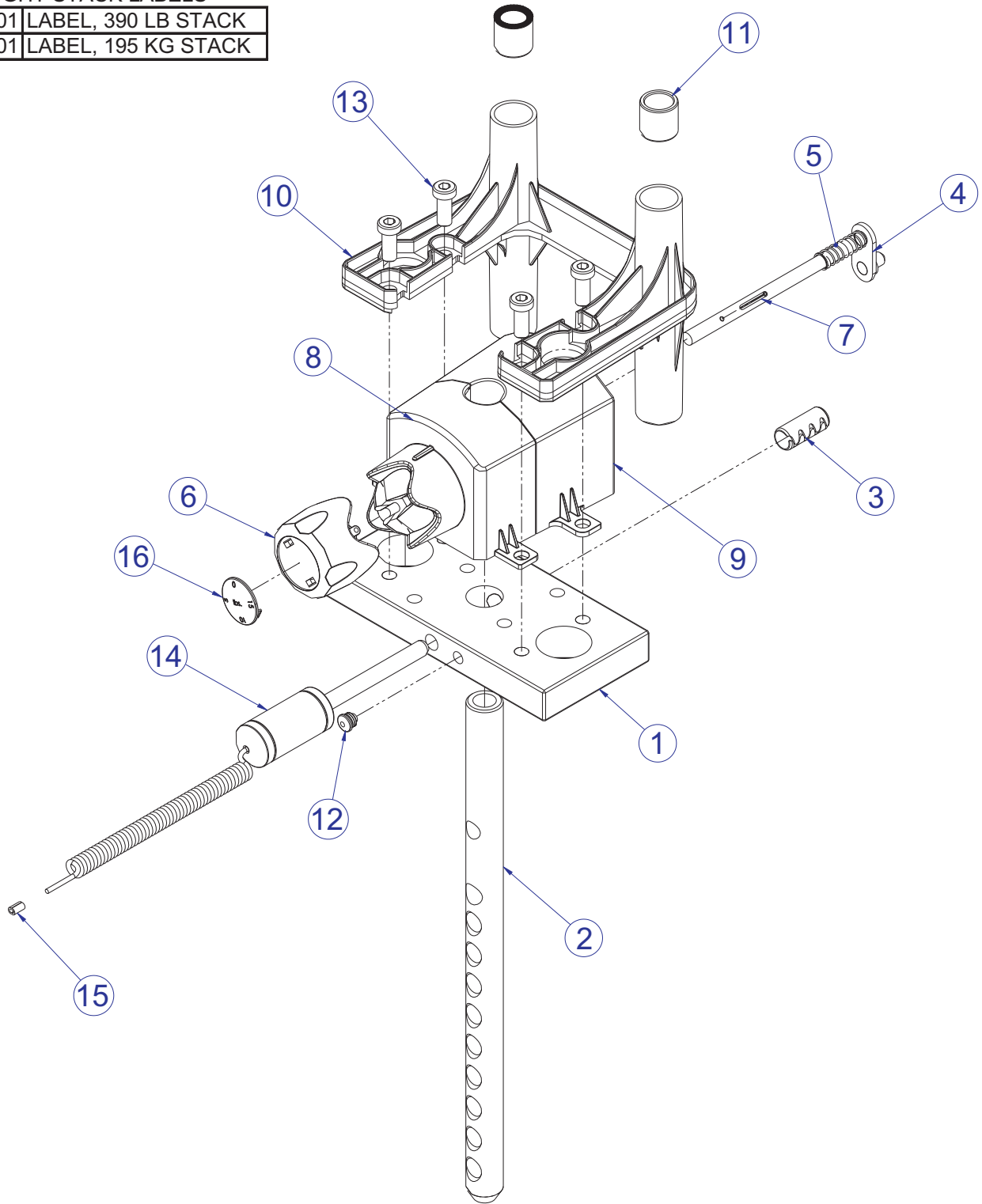


ITEM NO.	QTY.	PART NO.	DESCRIPTION
1	1	7968501	ASSY, FZ INC WEIGHT 5LB
2	1	7328201	BRKT, INCREMENT WT - 15 LB
3	2	3236202	SCREW, M10 X1.5 25MM

# FZTR TORSO ROTATION HEAD PLATE ASSEMBLY - 7350601

## WEIGHT STACK LABELS

7927201	LABEL, 390 LB STACK
7927301	LABEL, 195 KG STACK



SEE PAGE 13 FOR LEGEND

# FZTR TORSO ROTATION HEAD PLATE ASSEMBLY LEGEND

---

ITEM NO.	QTY.	PART NO.	DESCRIPTION
1	1	7326701	HEAD PLATE
2	1	7347801	STEM, 9 PLATE
3	1	3236001	BUSHING, SPRING PIN
4	1	7327201	WLDMT, INCREMENT WT PIN
5	1	8024501	SPRING, 1/2 OD X 1-1/2
6	1	7326101	KNOB, INC WT SELECTOR
7	1	3110008	ROLL PIN, 1/8 X 1-1/4
8	1	7326401	HOUSING, SELECTOR - FRONT
9	1	7326501	HOUSING, SELECTOR - REAR
10	1	7362101	STABILIZER, HEAD PLATE
11	4	7459601	BUSHING, HEAD PLT STABILIZER
12	1	7356501	PLUG, LANYARD ATTACHMENT
13	4	3236202	SCREW, M10 X1.5 25MM
14	1	7338101	ASSY, WT STACK SELECTOR PIN
15	1	7523601	CRIMP, CABLE
16	1	7398601	CAP, SELECTOR KNOB, LBS
	OR		
	1	7398701	CAP, SELECTOR KNOB, KG

# FZTR TORSO ROTATION IMAGE

---

